

VESPER 3A

Christoph Jenni, 2014

P4. **COLOS**

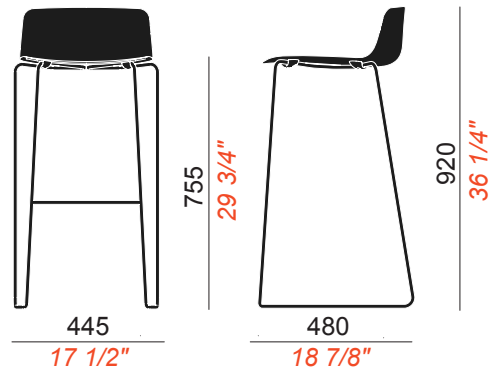
 MADE IN ITALY

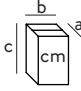
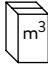



High barstool with monoshell in polypropylene with fiberglass, rod steel base, available in chrome finish or zinc-coated and powder-coated with polyester.
 Seat pad option available.
 Stackable up to 6 units.



2D and 3D drawings available at www.colos.it



QUANTITY PER PACKAGE	BOX SIZES 	PACKAGE VOLUME 	PACKAGE WEIGHT 
2	67x50x96	0,32	15

METAL BASE COLORS



WHITE

NCS 5000 - N



BLACK

NCS 9000 - N



CHROME

POLYPROPYLENE SHELL COLORS:



WHITE

NCS 0500 - N



LIGHT BLUE

NCS 1010 - B



SAND

NCS 3010 - Y



YELLOW

NCS 0570 - G80Y



GREEN

NCS 1060 - G



RED
VESPER

NCS 0585 - Y70R



GREY

NCS 5500 - N



BLACK

NCS 9000 - N

FIREPROOF: CLASS 1

VESPER 3B

Christoph Jenni, 2014

P4. **COLOS**

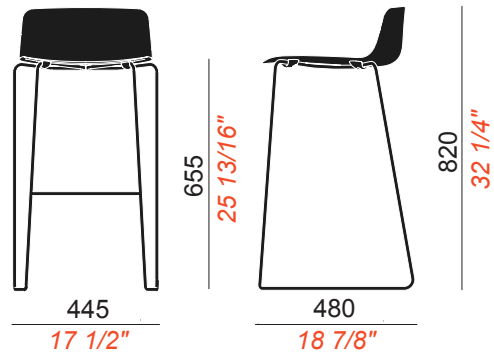
 MADE IN ITALY

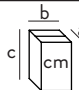
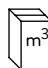



OUTDOOR

Low barstool with monoshell in polypropylene with fiberglass, rod steel base, available in chrome finish or zinc-coated and powder-coated with polyester.
 Seat pad option available.
 Stackable up to 6 units.

2D and 3D drawings available at www.colos.it



QUANTITY PER PACKAGE	BOX SIZES 	PACKAGE VOLUME 	PACKAGE WEIGHT 
2	67x50x96	0,32	15

METAL BASE COLORS



WHITE

NCS 5000 - N



BLACK

NCS 9000 - N



CHROME

POLYPROPYLENE SHELL COLORS



WHITE

NCS 0500 - N



LIGHT BLUE

NCS 1010 - B



SAND

NCS 3010 - Y



YELLOW

NCS 0570 - G80Y



GREEN

NCS 1060 - G



RED
VESPER

NCS 0585 - Y70R



GREY

NCS 5500 - N



BLACK

NCS 9000 - N

FIREPROOF: CLASS 1